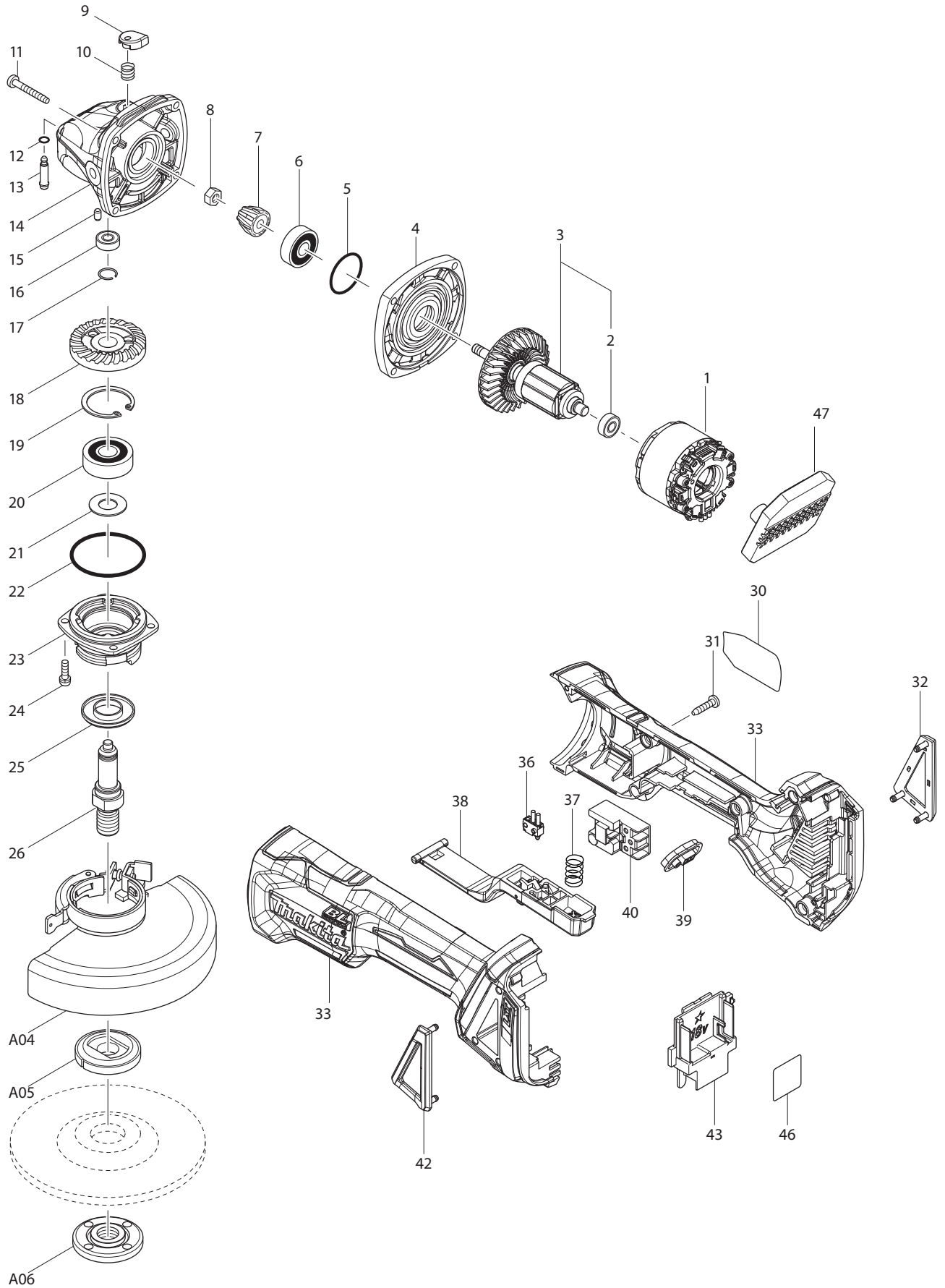




01 - 2015
DGA505Z

18V BL 5" GRINDER (Paddle Switch)



Item No.	Type	Sub	Part No.	Description	Qty	Unit
001	2		629174-4	* STATOR COMPLETE	1	PC.
	3		629B61-9	* STATOR	1	PC.
002	2		210169-4	BALL BEARING 607LLB	1	PC.
003	3		510329-1	ROTOR ASS'Y	1	PC.
		INC.		Item No. 2		
004			319214-3	GEAR HOUSING COVER	1	PC.
005			213445-5	O-RING 26	1	PC.
006			210042-8	BALL BEARING 629LLB	1	PC.
007	1		227541-3	* SPIRAL BEVEL GEAR 10	1	PC.
	2		226861-2	* SPIRAL BEVEL GEAR 10	1	PC.
008			252186-8	HEX. NUT M6	1	PC.
009			417771-6	PIN CAP	1	PC.
010			233072-2	COMPRESSION SPRING 8	1	PC.
011			266361-0	TAPPING SCREW 4X30	4	PC.
012			213960-9	O RING 5	1	PC.
013			256546-6	SHOULDER PIN 4	1	PC.
014			319213-5	GEAR HOUSING	1	PC.
015			263002-9	RUBBER PIN 4	1	PC.
016			210033-9	BALL BEARING 696ZZ	1	PC.
017			233950-6	RING SPRING 11	1	PC.
018	1		227641-9	* SPIRAL BEVEL GEAR 37	1	PC.
	2		226862-0	* SPIRAL BEVEL GEAR 37	1	PC.
019			962151-6	RETAINING RING R-32	1	PC.
020			211129-9	BALL BEARING 6201DDW	1	PC.
021	2		267238-2	FLAT WASHER 12	1	PC.
022			213622-9	O RING 45	1	PC.
023			318331-6	BEARING BOX	1	PC.
024			911121-2	PAN HEAD SCREW M4X14	4	PC.
025			345464-4	LABYRINTH RING	1	PC.
026			324955-8	SPINDLE A	1	PC.
030			850L12-3	NAME PLATE F/DGA505	1	PC.
031			266326-2	TAPPING SCREW 4X18	5	PC.
032			455450-8	DUST COVER R	1	PC.
033			183A52-3	MOTOR HOUSING SET	1	PC.
		INC.	263005-3	RUBBER PIN 6	2	PC.
036			632E12-1	SWITCH UNIT	1	PC.
037			234357-9	COMPRESSION SPRING 11	1	PC.
038			142976-6	SWITCH LEVER COMPLETE	1	PC.
039			142901-7	INDICATOR PANEL COMPLETE	1	PC.
040			650734-1	SWITCH TG73BDS-2	1	PC.
042			455449-3	DUST COVER L	1	PC.
043			643899-6	TERMINAL	1	PC.
046			850L20-4	SERIAL NO. LABEL F/DGA505	1	PC.
047			620K13-7	* CONTROLLER (Added)	1	PC.
048			652119-7	* PH SCREW M2X6 (Added)	6	PC.
C01			877107-5	CARTON F/DGA505Z	1	PC.
E01			805C41-7	CAUTION LABEL	1	PC.

ACCESSORIES

A01	1		741407-B	5" DEPRESSED CENTER WHEEL A24P	1	PC.
	2		D-20797	5" ABRASIVE DEPRESSED CENTRE WHEEL A24R	1	PC.
A02			158237-4	GRIP 36 COMPLETE (RUBBER GRIP)	1	PC.
		Opt.	194514-0	VIBRATION PROOF GRIP F/4" - 6", PKG	1	PC.
A03			782424-9	LOCK NUT WRENCH 28	1	PC.
A04			123145-8	5" TOOLLESS WHEEL COVER ASSY (D.C.W)	1	PC.
		INC.	213009-5	O RING 4	1	PC.
		INC.	265180-1	PAN HEAD SCREW M5X16	1	PC.

Item No.	Type	Sub	Part No.	Description	Qty	Unit
A05			224399-1	INNER FLANGE 45	1	PC.
A06			224568-4	LOCK NUT 5/8-45	1	PC.
A07			196845-3	TUCKPOINTING DUST GUARD ATTACHMENT F/5"	1	PC.
A08			193048-0	SANDING LOCK NUT 5/8-48,PKGED	1	PC.
A09			743015-1	RUBBER PAD F/5" GRINDER	1	PC.
A10			122911-0	CUT-OFF WHEEL GUARD F/5"	1	PC.
A11			197212-5	INTERLOCKING TOOL CASE L	1	PC.
		INC.	453974-8	LOCKING LATCH	4	PC.
A12			T-02571	FOAM INSERT F/INTERLOCK CASE	3	PC.
A13			---	18V LI-ION BATTERY		
A14			---	BATTERY CHARGER		
A15			---	LI-ION BATTERY ACCESSORIES		
A16			---	2 IN 1 GRINDING & CUTTING ABRASIVE DISCS		
A17			---	ZIRCONIUM MULTI-DISCS		
A18			---	STRIP DISCS		
A19			---	KNOT STYLE WIRE CUP BRUSHES		
A20			---	WIRE BEVEL WHEEL BRUSHES		
A21			---	CRIMPED STYLE WIRE CUP BRUSHES		
A23			---	RESIN FIBRE SANDING DISCS		
A24			---	CUT-OFF WHEELS		
A25			---	4-1/2" - 5" DIAMOND TUCKPOINT BLADES		
A26			B-46165-25	5" THIN KERF C.O.W 25PC/SET	1	SE
A27			---	FLEXIBLE DEPRESSED CENTRE GRINDING WHEELS		

SERVICE CHANGES

1. Changes on Spiral bevel gear.

(TI#C3594)

Item No.	Description	Type 1	Type 2
007	Spiral bevel gear 10	227541-3	226861-2
018	Spiral bevel gear 37	227641-9	226862-0

Above parts are completely interchangeable as a set.

2. Changes on Stator and Controller

(TI#B0251) (TI#DE703)

Item No.	Description	Type 1	Type 2	Type 3
1	STATOR	629139-6	629174-4	629B61-9
47	CONTROLLER	-----	-----	620K13-7
48	PAN HEAD SCREW M2X6	-----	-----	652119-7

Above parts are completely interchangeable as a set.

See TI#DE703 for repair and wiring